

Data Sheet

Valve bodies type RA-N with integrated presetting and O-ring

Application



Straight version



Angle version

All RA-N valve bodies can be used together with all types of thermostatic elements in the RA 2000 series.

The valve bodies are fitted with a k_v limiting device for pre-setting of max. water flow.

The valve body RA-N is used in two-pipe heating systems and is available with the following setting ranges for max. water flow.

- RA-N 10: $k_v = 0.08 - 0.43 \text{ m}^3/\text{h}$
- RA-N 15: $k_v = 0.08 - 0.53 \text{ m}^3/\text{h}$

Each valve body is supplied with a protective cap and adjusting screw which can be used for manual regulation during the construction phase.

The protective cap must not be used as a manual shut off device. A special manual shut off device (code no. 013G5000) should be used.


To be able to distinguish between other valve bodies of the RA 2000 series the protective cap is equipped with a red screw setting.

Compression fittings for 15mm, 10mm or 8mm copper tube are available for valve body RA-N with 3/8" and 1/2" BSP connections.

Valve bodies are manufactured from brass with nickel plating. The pressure pin of the gland seal is of chromium steel and works in a lifetime lubricated O-ring. The complete gland seal assembly can be replaced without draining down the system.

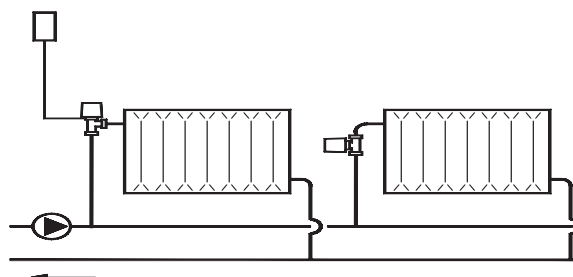
Should water treatment be used it is essential that dosing instructions of the manufacturer are strictly observed. It is recommended that formulations containing mineral oil are avoided.

Quality

 Thermostatic sensors RAS-C² with RA-N radiator valves are manufactured to the highest standards, and are approved to the European standard EN 215.

All Danfoss radiator thermostats are manufactured in factories, assessed and certified by BSI (British Standards Institution) against ISO 9000 and ISO14001.

Principles



Data and ordering

Type	Design	Connections		Pre-setting					
		Inlet	Outlet	k_v -max. ¹⁾ (m ³ /h at $\Delta p = 1$ bar)					k_{vs}
		Rp	R	1	2	3	4	N	N
RA-N 10	Angle	3/8	3/8	0.08	0.18	0.21	0.31	0.43	0.65
	Straight	3/8	3/8	0.08	0.18	0.21	0.31	0.43	0.65
RA-N 15	Angle	1/2	1/2	0.08	0.18	0.25	0.38	0.53	0.90
	Straight	1/2	1/2	0.08	0.18	0.25	0.38	0.53	0.90

Type	Design	Max. work. press.	Max. diff. ²⁾ press.	Test	Max. work. temp.	Code no
		bar	bar	bar	°C	
RA-N 10	Angle	10	0.6	16	120	013G1011
	Straight	10	0.6	16	120	013G1012
RA-N 15	Angle	10	0.6	16	120	013G1013
	Straight	10	0.6	16	120	013G1014

¹⁾ The k_v -value indicates the water flow (Q) in m³/h at a pressure drop (Δp) across the valve of 1 bar; $k_v = Q : \sqrt{\Delta p}$. At setting N the k_v -value is stated according to EN 215, at $X_p = 2K$ i.e. the valve is closed at 2°C higher room temperature. At lower settings the X_p value is reduced to 0.5K of the setting value 1. The k_{vs} -value states the flow Q at a maximum lift, i.e. at fully open valve at setting N.

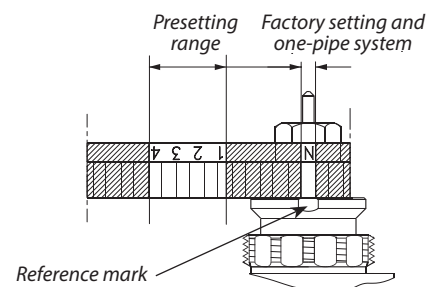
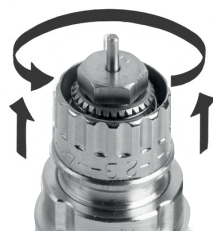
²⁾ Working pressure = static + differential pressure. The maximum differential pressure specified is the maximum pressure at which the valves give satisfactory regulation. As with any device which imposes a pressure drop in the system, noise may occur under certain flow/pressure conditions. To ensure quiet operation, maximum pressure drop should not exceed 30 to 35 kPa. The differential pressure can be reduced by the use of the Danfoss differential pressure regulators types AVD, AVDL, AVDS, IVD or ASV-P.

Accessories

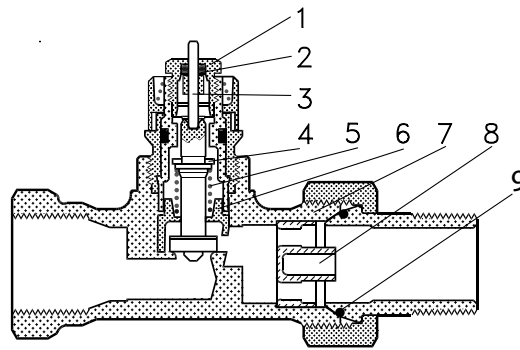
Product	Dimension	For valve body	Code no.
Gland seal	-	All RA valves	013G0290
Compression fitting for steel and copper tubes	Rp 3/8 x Ø10 mm	RA-N 10	013G4100
	Rp 3/8 x Ø12 mm		013G4102
	Rp 1/2 x Ø10 mm	RA-N 15	013G4110
	Rp 1/2 x Ø12 mm		013G4112
	Rp 1/2 x Ø15 mm		013G4115
O-rings service set for tail pieces DN10			013G1019
O-rings service set for tail pieces DN15			013G1020

All accessories comes in boxes of 10 pcs.

Setting



Operating principle



1. Gland seal
2. O-Ring
3. Pressure pin
4. Seal
5. Regulation spring
6. Setting dial
7. Valve body
8. k_v -nozzle
9. O-ring

The radiator thermostats consist of the thermostatic elements and the valve body RA-N. The element and the valve body are ordered separately.

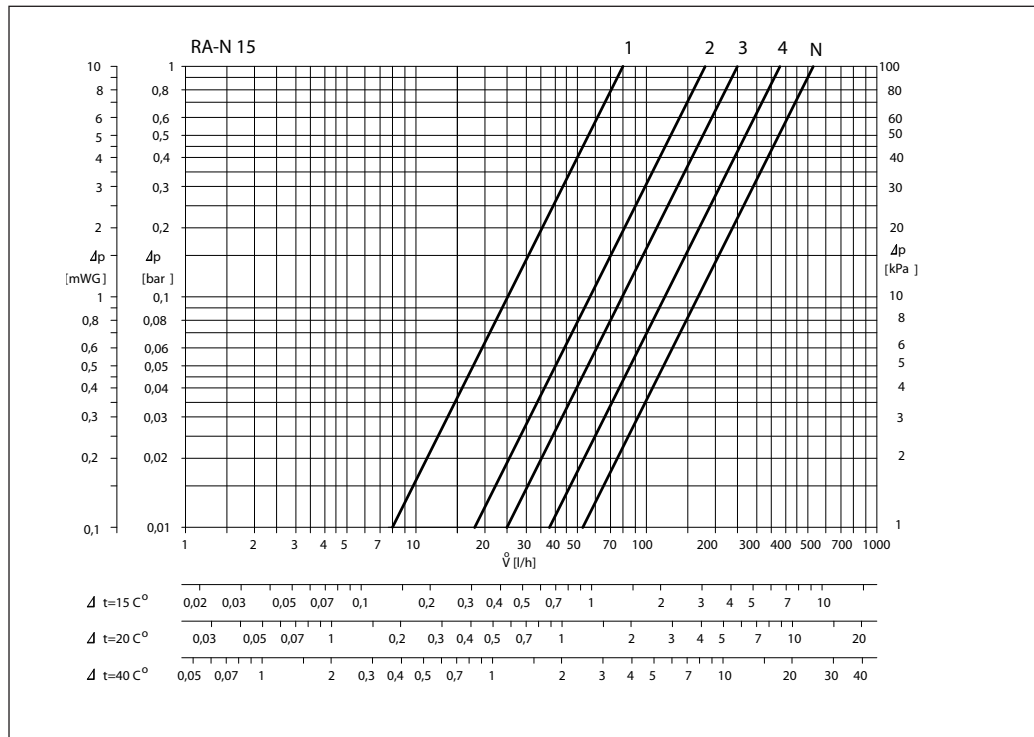
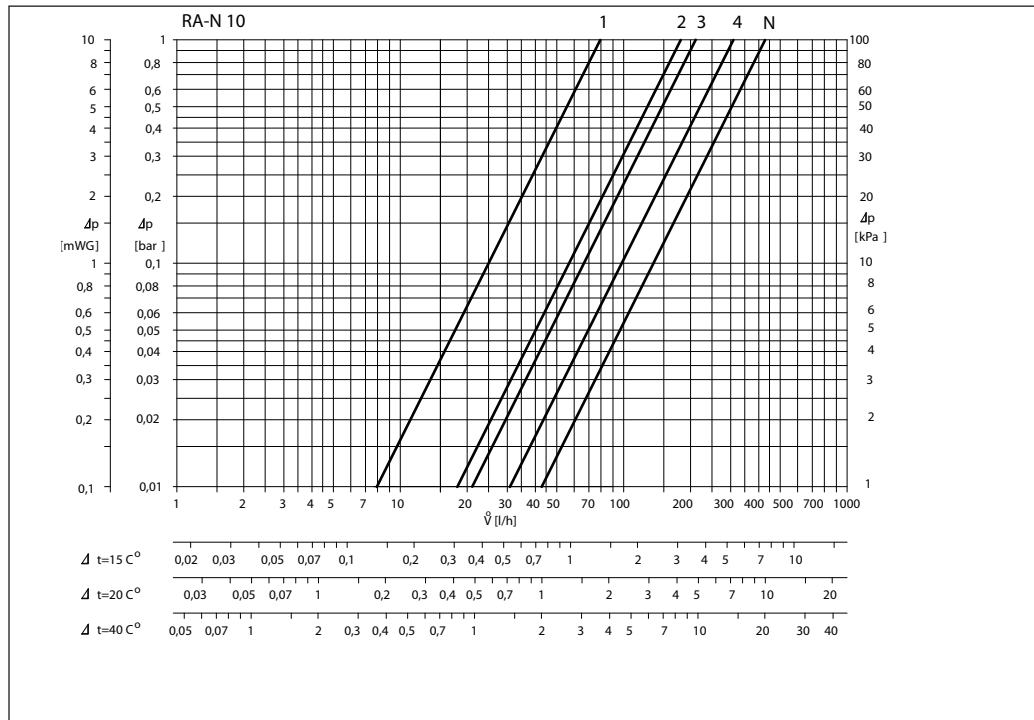
A The gland seal of the valve can be changed in operation, i.e. with water and pressure on the system.

Valve body and other metal parts	Ms 58, brass
K_v -limiter	PPS
O-ring	EPDM
Valve cone	NBR
Pressure pin and valve spring	Chrome steel
Nozzle	PP

The valve bodies are nickle-plated on the outside.

Max. ambient temperature	60 °C
Max. medium temperature	120 °C
Max. working pressure	10 bar
Test pressure	16 bar

Capacities



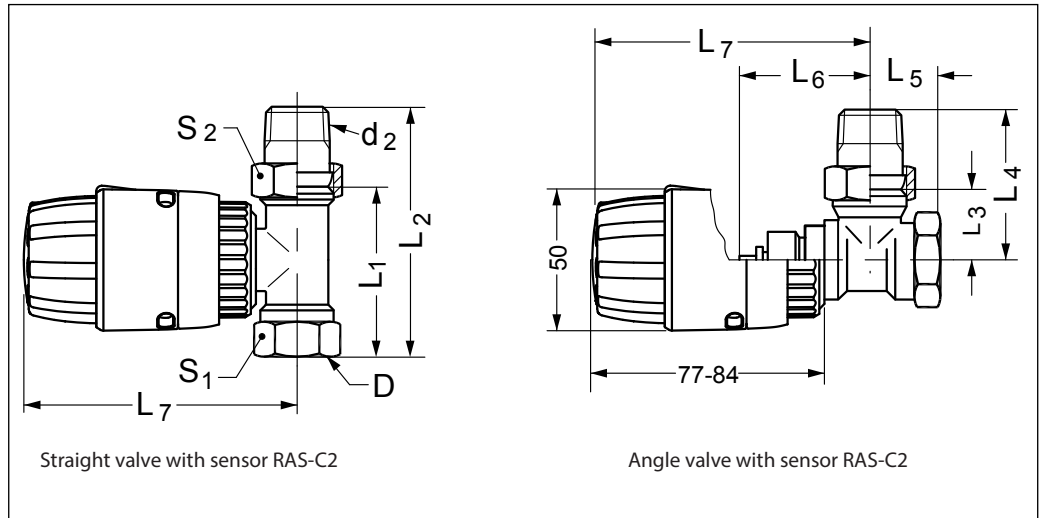
Sizing example:

Required heat:	1.6 kW
Cooling across radiator:	20° C
Flow through radiator:	$Q = \frac{1.6}{20 \times 1.16} = 0.07 \text{ m}^3/\text{h}$
Pressure drop across valve:	$\Delta p = 1 \text{ mGW}$
Valve setting:	RA-N 10 4
	RA-N 15 3

Alternatively the setting can be read directly in the table "Data and Ordering".

$$k_v = \frac{Q \text{ (m}^3/\text{h)}}{\sqrt{\Delta p \text{ (bar)}}$$

Dimensions



Type	ISO 7-1			L ₁	L ₂	L ₃	L ₄	L ₅	L ₆	L ₇	Arc. flats	
	DN	D	d ₂								S ₁	S ₂
RA-N 10	10	R _p 3/8	R 3/8	50	75	24	49	20	47	92-99	22	27
RA-N 15	15	R _p 1/2	R 1/2	50	82	26	53	23	47	92-99	27	30

Danfoss A/S
 Heating Segment
 Haarupvaenget 11
 8600 Silkeborg
 Denmark
 Phone: +45 7488 8000
 Fax: +45 7488 8100
 e-mail: heating.solutions@danfoss.com
 www.heating.danfoss.com

Danfoss can accept no responsibility for possible errors in catalogues, brochures and other printed material. Danfoss reserves the right to alter its products without notice. This also applies to products already on order provided that such alterations can be made without subsequential changes being necessary in specifications already agreed. All trademarks in this material are property of the respective companies. Danfoss and the Danfoss logotype are trademarks of Danfoss A/S. All rights reserved.